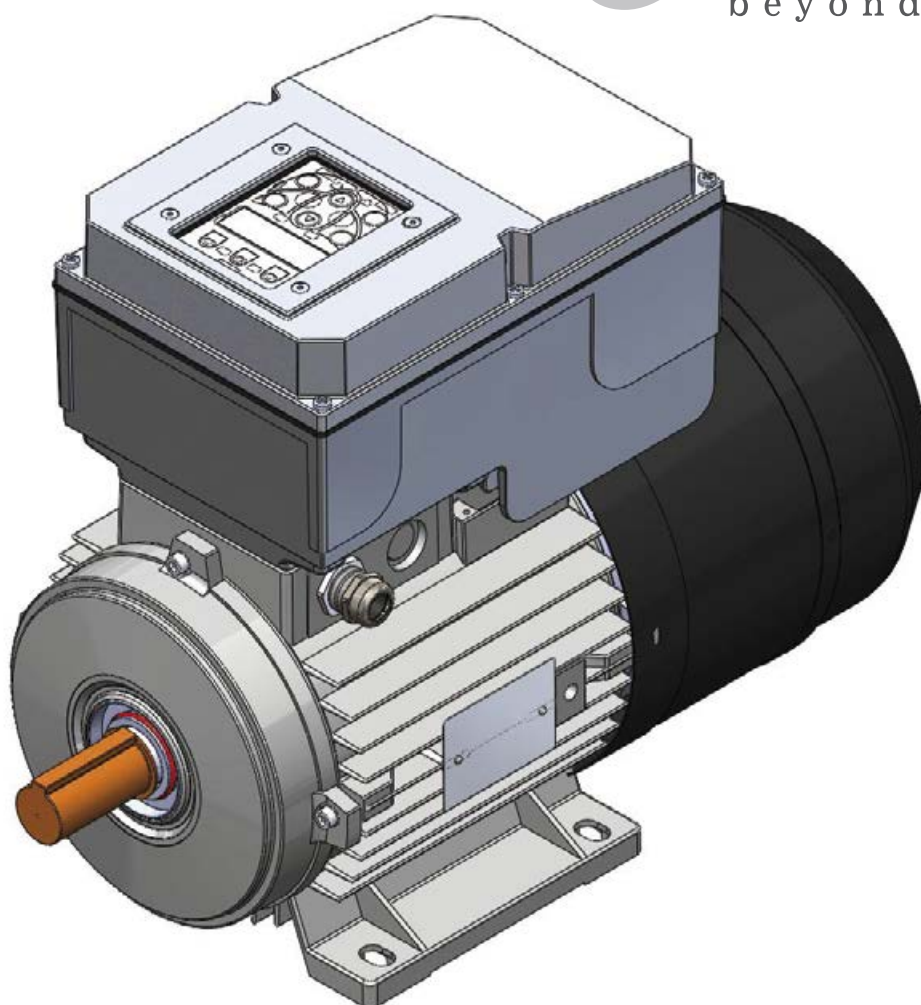




MORATTO
beyond energy



INVERTER MOTORS T3

SERIES MIT30

Power supply 400V 50Hz
Power from 2,2 KW to 5,5 KW

SERIES MIT30 - Stand alone

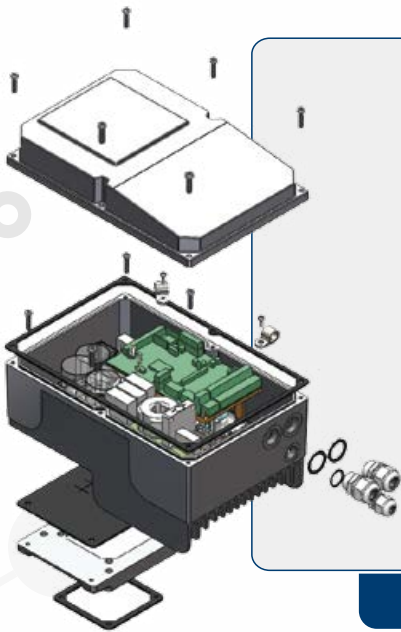
Power supply 400V 50Hz
Power from 2,2 KW to 4 KW

MODEL	MIT3 220	MIT3 300	MIT3 400	MIT3 550
POWER	2.2 KW	3.0 KW	4.0 KW	5.5 KW
CURRENT	5.5 A	8.0 A	10.0 A	14.0 A

SERIES MIT30

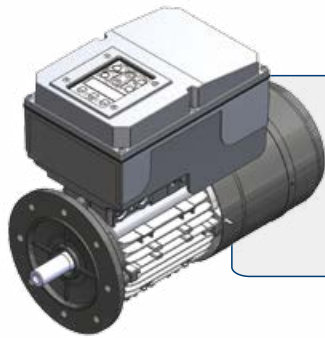
MODEL	MIT3 220	MIT3 300	MIT3 400
POWER	2.2 KW	3.0 KW	4.0 KW
CURRENT	5.5 A	8.0 A	10.0 A

SERIES MIT30 - Stand alone



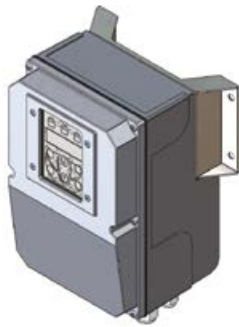
FEATURE	DESCRIPTION
SOFTWARE	Standard Lifts Fans and pumps Chucks
I/O	4 I/O Analog programmable input: 0-10V 4-20 mA 0-20 mA 1 Input for encoder programmable
OUTPUTS	2 Programmable relay 1 Programmable Analog output 0-10V 2 Programmable Digital output
POWER	400V 50Hz
OVERLOAD	(180% \times 60'')/10 Min
RAMP	Acceleration and deceleration 4 sets: linear or "S"
MOTORPOTENTIOMETER	With memory Without memory

FEATURE



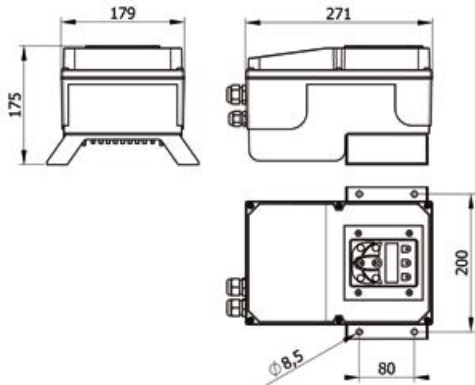
ACCESSORIES	External keypad control
INVERTER	Programming key Serial PC
MOTOR	DC Brake Forced cooling Shaft - special flanges to customer's drawing

ACCESSORIES



COMMUNICATION PROTOCOLS	CAN Open DeviceNET MODBUS RS-485
EMC FILTER	Interior Class A and Class B
CONNECTIONS	IP68 cable glands Multi-pin connector for input and output signals Wiring harness for power

OTHER OPTIONS



FEATURES	As standard
PROTECTION	IP65
OPTIONS	Pre-wired with cables Pre-wired Additional inputs

VERS. STAND ALONE

Tutti i dati riportati nella presente scheda non sono vincolanti. La Moratto srl si riserva il diritto di apportare variazioni in qualsiasi momento e senza preavviso.
All details contained in this brochure are not binding. Moratto srl reserves the right to make any changes necessary any moment without warning.
Alle Angaben in dieser Broschüre sind nicht bindend. Moratto srl behält sich das Recht vor, alle notwendigen Änderungen jederzeit ohne Ankündigung durchzuführen.