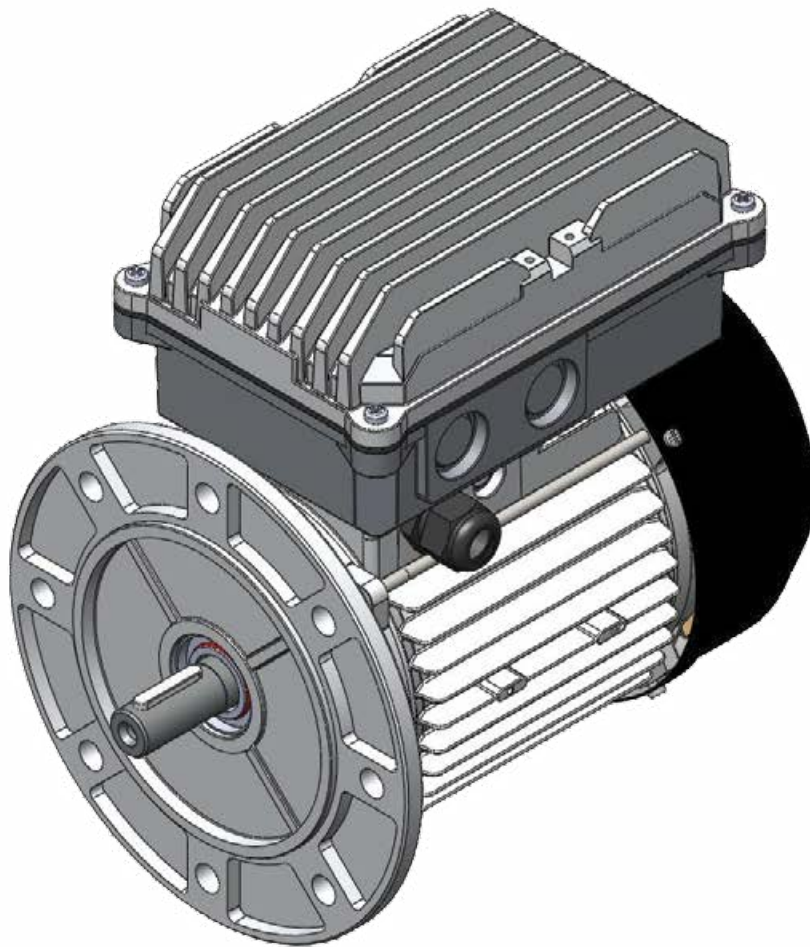




**MORATTO**  
beyond energy



# INVERTER MOTORS T1

## SERIES MIM10

Single phase power supply 230V 50Hz  
Power from 0,25 KW to 0,75 KW

## SERIES MIT10

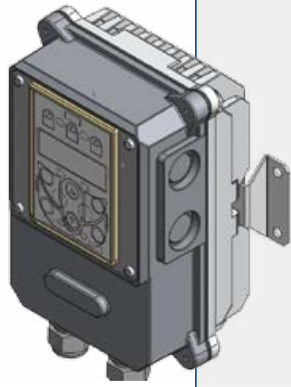
Three phase power supply 400V 50Hz  
Power from 0,25 KW to 1,1 KW

MODEL	MIM1 025	MIM1 037	MIM1 055	MIM1 075
POWER	0.25 KW	0.37 KW	0.55 KW	0.75 KW
CURRENT	1.7 A	2.2 A	3.0 A	3.9 A

### SERIES MIM10

MODEL	MIT1 025	MIT1 037	MIT1 055	MIT1 075	MIT1 110
POWER	0.25 KW	0.37 KW	0.55 KW	0.75 KW	1.10 KW
CURRENT	1.7 A	2.2 A	3.0 A	3.9 A	5.5 A

### SERIES MIT10



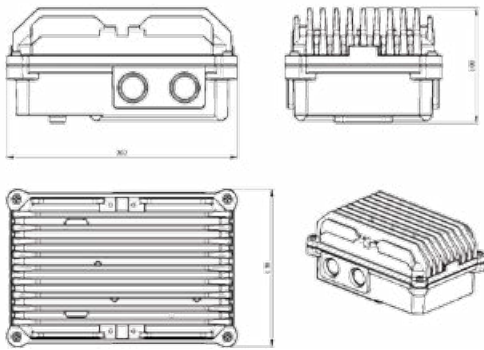
FEATURE	DESCRIPTION	ORDER CODE
<b>SOFTWARE</b>	Standard	X
	Lifts	A
	Fans and pumps	F
	Chucks	H
<b>I/O</b>	4 I/O Digital programmable PNP	X
	I/O digital + RS 485	S
	I/O digital + CAN	T
	I/O analog	Y
	I/O analog + RS485	W
<b>OUTPUTS</b>	1 Programmable relay	
	1 Programmable digital output	
<b>POWER</b>	MIM10: Monophase 230V 50Hz / Monophase 110V 50Hz V. 110 50Hz	
	MIT10: Three phase 400V 50Hz / Three phase 230V 50Hz / Monophase 230V 50Hz	
<b>OVERLOAD</b>	(150%x60'')/10 Min	
<b>RAMP</b>	Acceleration and deceleration 4 sets: linear or "S"	
<b>MOTORPOTENTIOMETER</b>	With memory	
	Without memory	

**FEATURE**



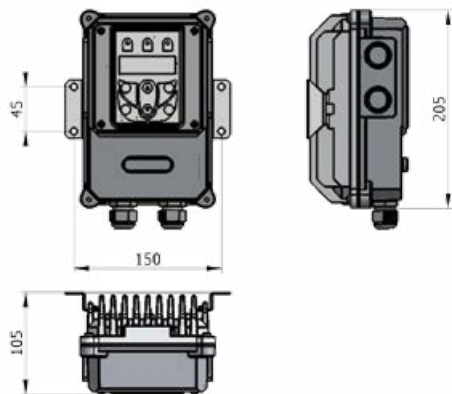
<b>ACCESSORIES</b>	External keypad control
<b>INVERTER</b>	Programming key
	Serial PC
	DC Brake
<b>MOTOR</b>	Forced cooling
	Shaft - special flanges to customer's drawing

**ACCESSORIES**



<b>COMMUNICATION PROTOCOLS</b>	CAN Open
	DeviceNET
	MODBUS
<b>EMC FILTER</b>	Interior Class A and Class B
	RS-485
<b>CONNECTIONS</b>	IP68 cable glands
	Multi-pin connector for input and output signals
	Wiring harness for power

**OTHER OPTIONS**



<b>FEATURES</b>	As standard
<b>PROTECTION</b>	IP65
<b>OPTIONS</b>	Pre-wired with cables
	Pre-wired
	Additional inputs

**VERS. STAND ALONE**

Tutti i dati riportati nella presente scheda non sono vincolanti. La Moratto srl si riserva il diritto di apportare variazioni in qualsiasi momento e senza preavviso.  
 All details contained in this brochure are not binding. Moratto srl reserves the right to make any changes necessary any moment without warning.  
 Alle Angaben in dieser Broschüre sind nicht bindend. Moratto srl behält sich das Recht vor, alle notwendigen Änderungen jederzeit ohne Ankündigung durchzuführen.